

Automatic Single Point Lubricator



The Compact and Refillable
Single Point Lubricator



worldwide patents



simalube, the compact automatic lubricator that is economical, universally adaptable, and environmentally friendly.

Economical lubrication

Using simalube, the lubricant can be applied directly to the lubrication point. The simalube lubricator is activated with a simple twist of the dispensing dial on the top of the lubricator, and can be altered at any time. The lubricant level can always be monitored through the inspection window. simalube is ideal for demanding applications such as lubrication points in difficult to reach locations or within dangerous production zones. simalube is especially well suited for lubrication points which may easily be overlooked or forgotten. These, often critical, lube points are provided a consistent delivery of lubricant reliably and automatically, 24 hours a day for up to one full year. Damages caused by over or under lubrication, and the high costs associated with repairing them, can be minimized with simalube.



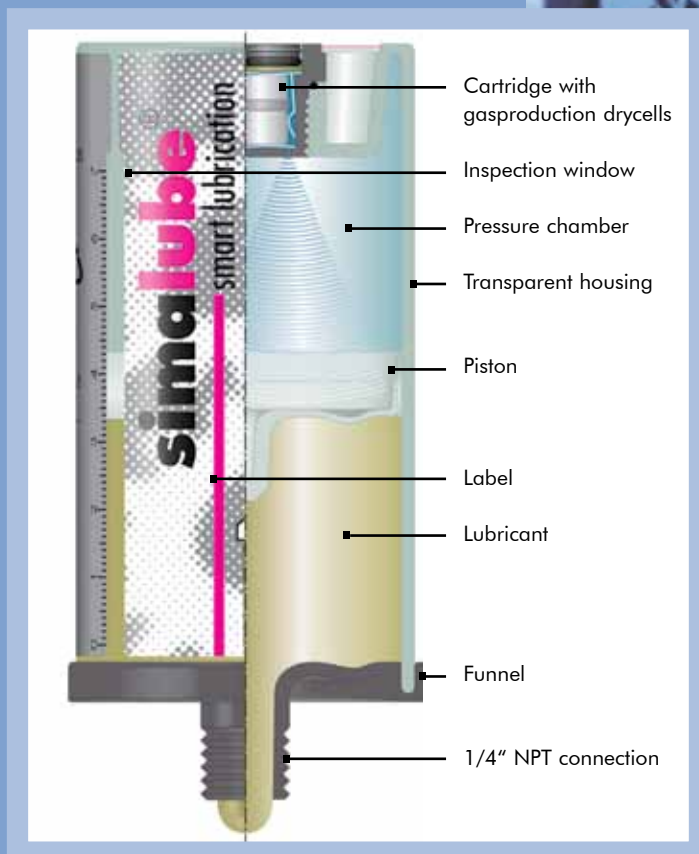
The new generation of simalube lubricators (30ml, 60ml, 125ml, 250ml)

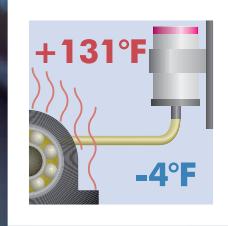
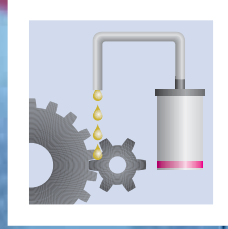
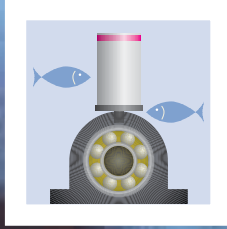
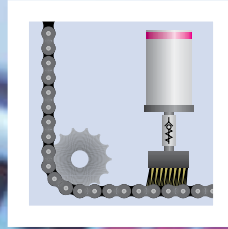
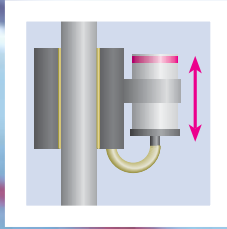
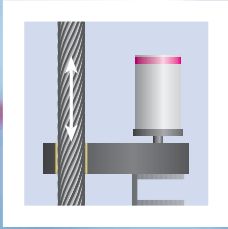


Cartridge with gas producing drycells



The dispensing period is variable and can be easily adjusted (1-12 months)





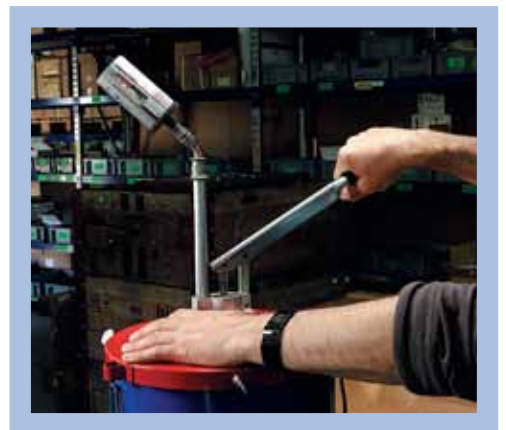
Universal application

simalube is available with a wide range of standard greases and oils. Customer specific lubricants can be used if suitable. The dispensing time on the simalube lubricator is variable between one and twelve months. The flexible delivery time gives the end user complete control over the amount of lubricant being applied.

simalube delivers lubricant reliably throughout a wide temperature range from -4° to +131° F. simalube is universally adaptable to most lubrication tasks through the use of available accessory parts.

Environmentally friendly and refillable

simalube is environmentally friendly as it does not contain any toxic liquids, batteries, motors, or gears. When empty, the simalube can either be recycled through standard recycling channels, or fitted with a new gas generating cartridge, easily refilled and put back into service.



simalube can be filled as well as refilled by using a standard grease filler pump that is typically used to fill grease guns.



Applications



For further information on products and applications, please request a simalube data sheet. You can obtain more information and find a list of authorized simalube distributors at www.simatec-usa.com

Dimensions and standard lubricants

simalube standard lubricants

No.	Application	Temp. range (in the area of lubrication)	Part No.			
			30 ml	60 ml	125 ml	250 ml
SL01	General multi-purpose industrial grease	- 4 to + 284 °F	SL01-30	SL01-60	SL01-125	SL01-250
SL02	High performance grease with MoS2 (moly)	- 4 to + 347 °F	SL02-30	SL02-60	SL02-125	SL02-250
SL04	High temperature grease	32 to + 338 °F	SL04-30	SL04-60	SL04-125	SL04-250
SL06	Fluid grease	- 4 to + 260 °F	SL06-30	SL06-60	SL06-125	SL06-250
SL09	Biodegradable grease	- 22 to + 248 °F	SL09-30	SL09-60	SL09-125	SL09-250
SL10	High performance multi-purpose grease for the food industry	0 to + 275 °F	SL10-30	SL10-60	SL10-125	SL10-250
SL14	Gear / chain oil	14 to + 212 °F	SL14-30	SL14-60	SL14-125	SL14-250
SL15	High temperature chain oil	max. + 500 °F	SL15-30	SL15-60	SL15-125	SL15-250
SL18	Food grade oil	- 4 to + 284 °F	SL18-30	SL18-60	SL18-125	SL18-250
SL25	High performance grease (polyura)	- 40 to + 350 °F	SL25-30	SL25-60	SL25-125	SL25-250

simalube 250
| ø 52 mm (2.05 in.) |



simalube 125

| ø 52 mm (2.05 in.) |



simalube 60

| ø 52 mm (2.05 in.) |



simalube 30

| ø 2.05 in. 52 mm |

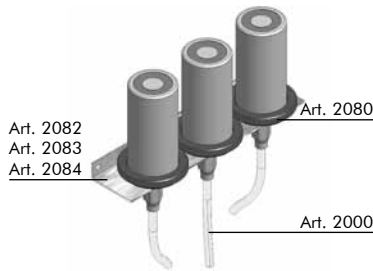


Applications with simalube – accessory parts

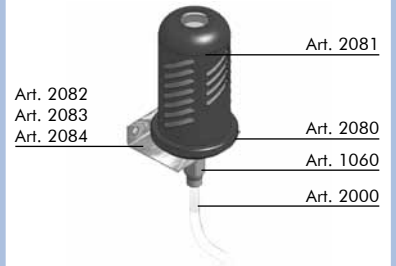


A comprehensive simalube accessory part selection enables the simple installation of simalube, the automatic single point lubricator.

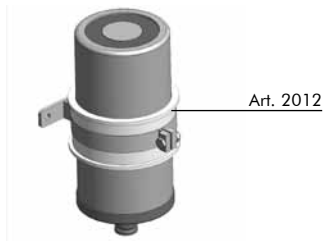
3-way bracket



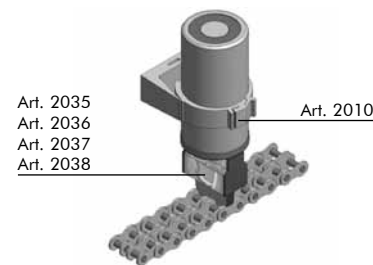
Mounting support with protective cover for simalube



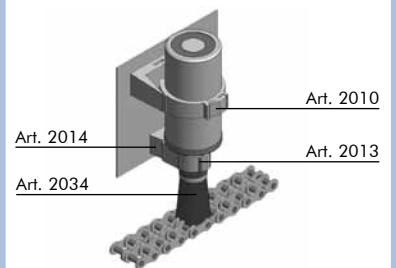
Adaptor for Perma clamp



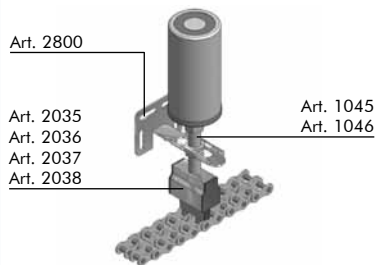
Chain lubrication with clamp



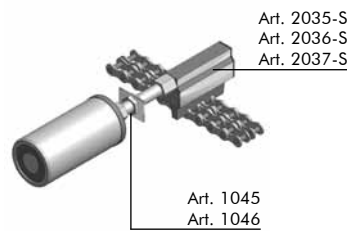
Chain lubrication with round brush and two clamps



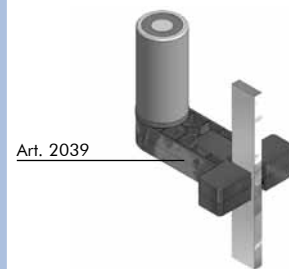
Chain lubrication with bracket, universally adjustable



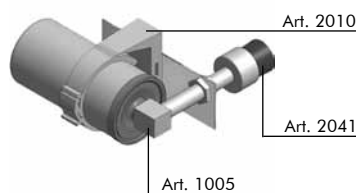
Chain lubrication with lateral connection



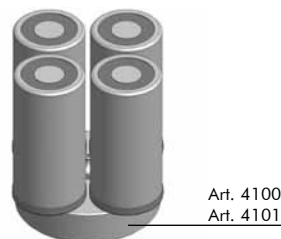
Lubrication of elevator guides or wire ropes



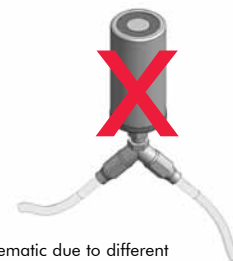
Round brush with 90° connection



4-fold adapter

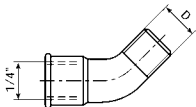
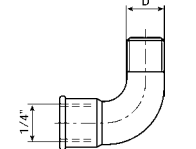
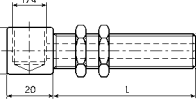
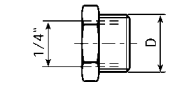
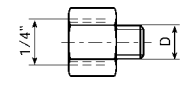
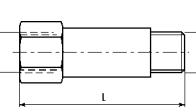
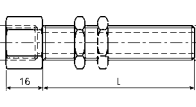
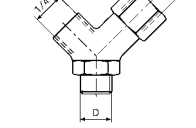
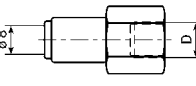


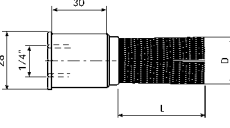
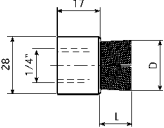
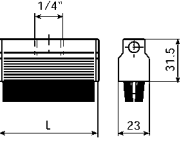
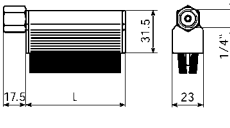
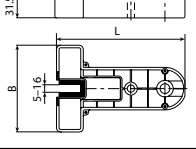
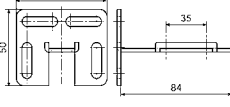
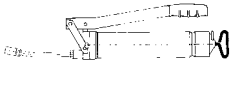
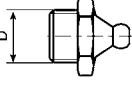
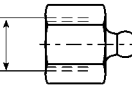
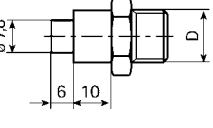
WRONG!

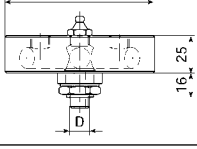
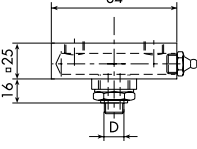

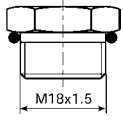
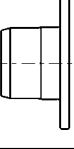
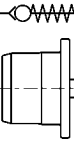
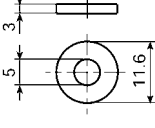


Problematic due to different counter pressure!

simalube accessory parts

Description	Part No.	Description	Part No.
 <p>Bent connection 45° 1/4"</p> <p>Nickel-plated cast steel</p>	1001	<p>Quick connection for hose ø 8 mm 1/8" male 1/4" male 3/8" male</p> <p>Brass, nickel plated</p>	1070 1071 1072
 <p>Bent connection 90° 1/4"</p> <p>Nickel-plated cast steel</p>	1002	<p>Hose ø 8/6 mm per meter (Art. and length to be mentioned)</p> <p>Plastic</p>	2000
 <p>90°-connection with thread 70 mm, incl. 2 nuts</p> <p>Brass, nickel plated</p>	1005	<p>Clamp for simalube® ø 50 mm</p> <p>Plastic</p>	2010
 <p>Connecting nipple 1/4" x 3/8" 1/2"</p> <p>Brass, nickel plated</p>	1010 1011	<p>Adapter for Perma clamp ø 50 mm</p> <p>Plastic</p>	2012
 <p>Reducing nipple 1/4" x 1/8" 1/4" M6 M8 M8x1 M10 M10 x 1 M12 M12x1,5 1/4"-28 (UNF)</p> <p>Brass, nickel plated</p>	1020 1021 1022 1023 1024 1025 1026 1027 1028 1121	<p>Clamp for round brush ø 28 mm</p> <p>Plastic</p>	2013
 <p>Extension 10 mm 35 mm 50 mm</p> <p>Brass, nickel plated</p>	1021 1040 1041	<p>Distance holder to clamp for round brush 15 mm</p> <p>Plastic</p>	2014
 <p>Screwed connection with hole 25 mm, incl. 1 nut 60 mm, incl. 2 nuts</p> <p>Brass, nickel plated</p>	1045 1046	<p>Mounting support consisting of: - flange - connecting nipple 1/4" - nut</p> <p>Plastic / brass, nickel plated</p>	2080
 <p>Y-manifold (incl. reducing nipple 1021) 1/4"</p> <p>Brass, nickel plated</p>	1050	<p>Protective cover to mounting support 2080</p> <p>Steel, varnished</p>	2081
 <p>Quick connection for hose ø 8 mm (incl. gasket ring 5080) 1/4" female</p> <p>Brass, nickel plated</p>	1060	<p>Bracket 1-way, 3-way, 5-way 75 mm (1 bore) 240 mm (3 bores) 390 mm (5 bores)</p> <p>Steel, burnished</p>	2082 2083 2084
		<p>Non-return valve 1/8" 1/4"</p> <p>Brass, nickel plated</p>	2020 2021

Description	Part No.
 <p>Round brush, plastic bristles ø 25x45 mm</p> <p>Plastic</p>	2034
 <p>Round brush, horse bristles ø 25x15 mm</p> <p>Plastic</p>	2041
 <p>Brush, horse bristles 40 mm 70 mm 100 mm 25 mm</p> <p>Aluminium</p>	2035 2036 2037 2038
 <p>Brush, lateral connection horse bristles 40 mm 70 mm 100 mm</p> <p>Aluminium</p>	2035-S 2036-S 2037-S
 <p>Elevator brush horse bristles L x B 151 x 102 mm 113 x 84 mm</p> <p>Plastic</p>	2039 2042
 <p>Bracket universally adjustable</p> <p>Steel, burnished</p>	2800
 <p>Grease gun with valve pipe</p>	3010
 <p>Connector nipple for cleaning and filling of grease lines 1/4"</p> <p>Brass, nickel plated</p>	3011
 <p>Refill nipple for refilling of simalube® 1/4"</p> <p>Brass, nickel plated</p>	3012
 <p>Connector nipple to grease gun filler for filling simalube® 1/4" 3/8"</p> <p>Plastic</p>	3013 3014

Description	Part No.
 <p>4-fold adaptor 1/2" 1/4"</p> <p>Plastic / brass, nickel plated</p>	4100 4101
 <p>2-fold adaptor 1/2" 1/4"</p> <p>Plastic / brass, nickel plated</p>	4102 4103
 <p>Allen key 3 mm (100 pcs.)</p>	4010
 <p>Cartridge REFILL (Gas generator) G1-125 ml G1-60 ml (shorty) 30 ml 60 ml 125 ml 250 ml</p>	5000 5002 5004 5006 5008 5010
 <p>Closing nipple ø 8 mm (100 pcs.)</p> <p>Plastic, green</p>	5050
 <p>Non-return valve plug ø 8 mm (100 pcs.)</p> <p>Plastic, yellow</p>	5060
 <p>Gasket ring</p> <p>Plastic</p>	5080

Subject to change without notice.



simatec inc., Charlotte, NC (USA)



simatec ag, Wangen a. Aare, Switzerland

simatec maintenance products

World class lubrication, mounting and dismantling

With 3 product lines, simatec takes care of your critical machinery and plant operation to ensure maximum uptime.

The automatic single point lubricator simalube can be adjusted from 1 to 12 months using the unique gas-producing drycell that is patented world-wide. The drycell generates pressure that pushes the grease or oil into the lubrication point.



The simatherm induction heaters provide fast warm-up of circular metal parts, for example bearings, for hot-mounting parts with an interference fit. Inductive heating of metal workpieces is cost-effective, time-saving and protects the environment. simatec is a global leader in thermal mounting technologies.



The simatool product range is designed for a quick, precise and safe mounting and dismantling of bearings and seals. simatools are used around the globe in machinery repair and maintenance shops.



simatec inc.
13900-C South Lakes Drive
Charlotte, NC 28273
USA

Phone: +1 (704) 588-3320
Fax: +1 (704) 588-2112
Toll-Free: +1 888-SIMATEC (1-888-746-2832)
www.simatec-usa.com info@simatec-usa.com